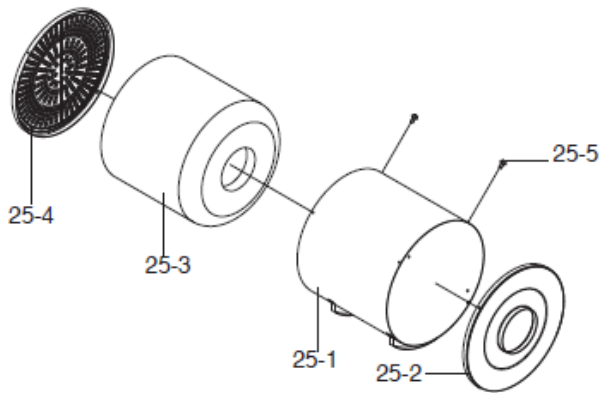
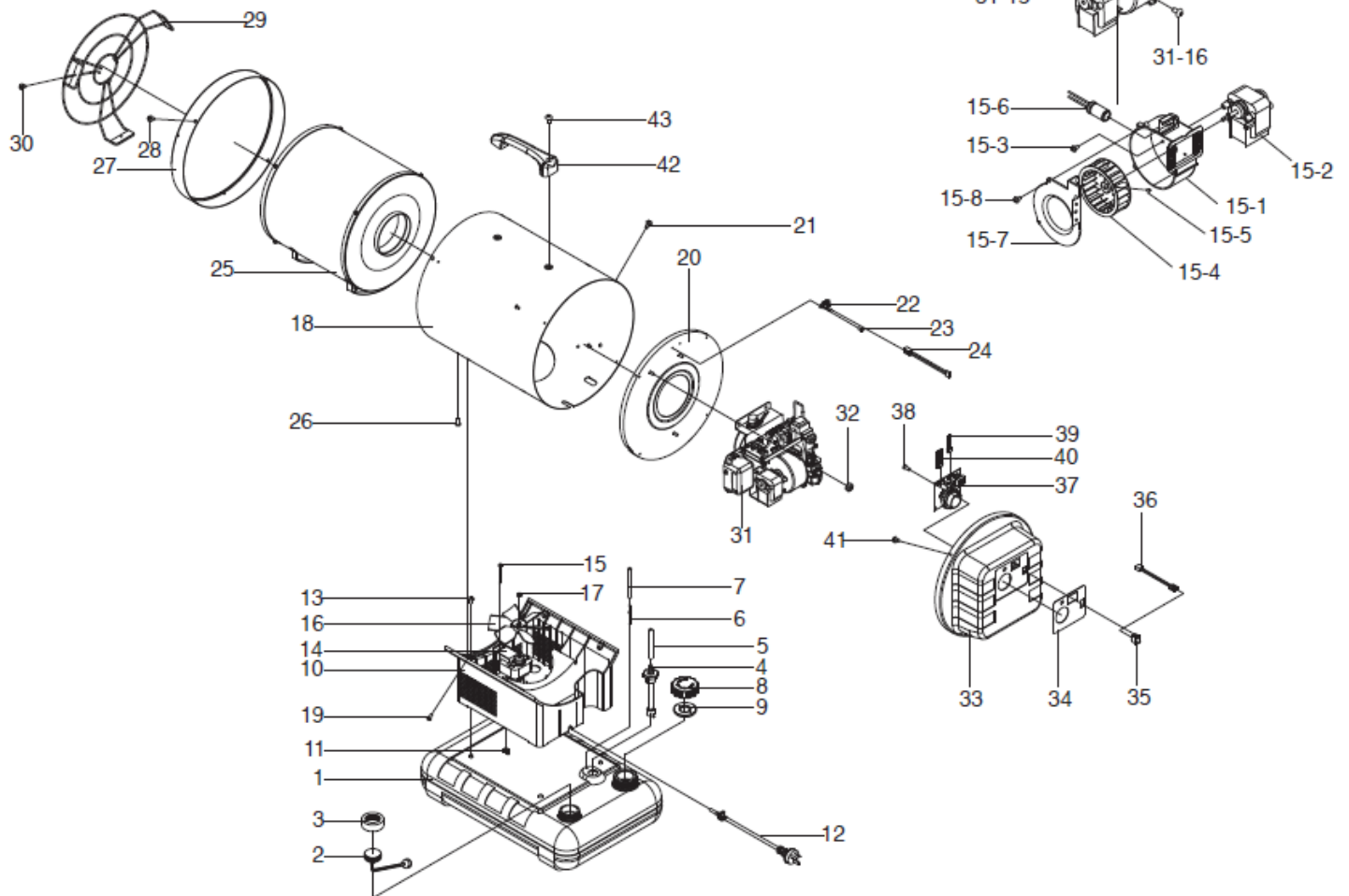
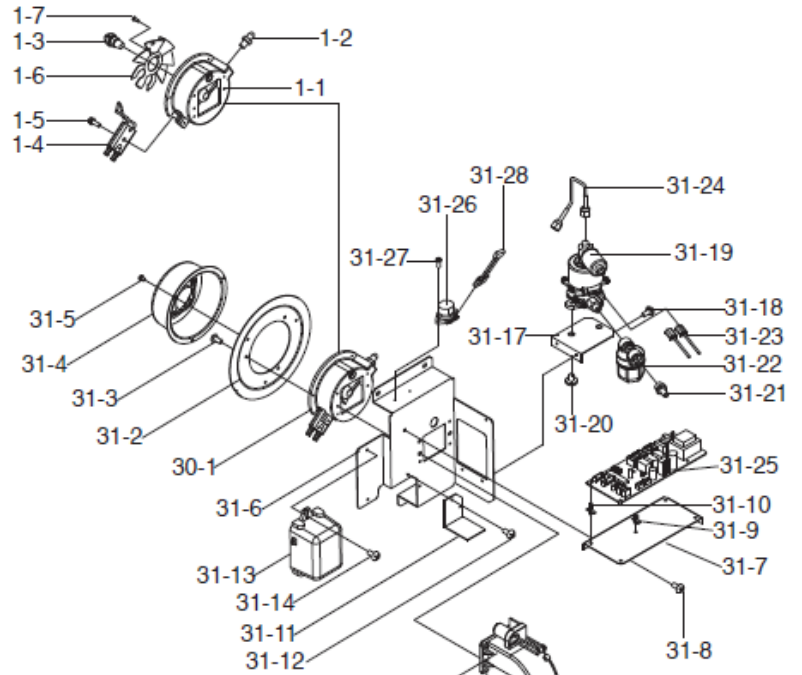


DI16 EXPLODED VIEW & PART NUMBERS

CHAMBER TOTAL ASSEMBLY



BURNER TOTAL ASSEMBLY



KEY NO.	Description	PART NO.	Quantity		
1	Fuel Tank Assembly	KP2151003200	1		
2	Gauge Fuel Assembly	KP2156006200	1		
3	Cap-Fuel Gauge	KP3231012301	1		
4	Filter Fuel Assembly	KP2155001400	1		
5	Line-Fuel	KP3341002700	1		
6	Return Pipe	KP3551012500	1		
7	Line-Fuel Return	KP3341004500	1		
8	Cap-Fuel	KP3231012201	1		
9	Packing-Fuel Cap	KP3233002000	1		
10	Shell Supporter	KP3221008900	1		
11	Nut-Wing	KP4339001200	4		
12	Power Cord	KP3980028600	1		
13	Bolt-TH	KP4321024800	4		
14	Cooling Motor	KP3970025400	1		
15	Bolt-RH	KP4321024600	4		
16	Cooling Fan	KP3221009000	1		
17	Spring	KP3431005300	1		
18	Shell	KP3111041801	1		
19	Flange Screw	KP4319007400	4		
20	Shell Insulator Assembly	KP2152020900	1		
21	Screw-TH1	KP4311004000	4		
22	Thermostat Limit	KP38C0010800	1		
23	Screw-RH2S	KP4312019900	2		
24	Limit Wire	KP39D0093400	1		
25	Chamber Total Assembly	KP2152017300	1		
25-1	Chamber Assembly	KP2152020800	1		
25-2	Chamber Insulator	KP3121067300	1		
25-3	Ceramic Fiber	KP3331006900	1		
25-4	Heat Plate	KP3121067400	1		
25-5	Screw-TH1	KP4311004000	8		
26	Screw-TH1	KP4311004400	3		
27	Shell Ring	KP3121067601	1		
28	Screw-TH1	KP4311004400	4		
29	Safety Guard Assembly	KP2153003501	1		
30	Screw-TH2S	KP4312004000	3		
31	Burner Total Assembly	KP2152032700	1		
31-1	Burner Body Assembly	KP2152027800	1		
1-1	Burner Body	KP3531003100	1		
1-2	Nipple	KP3541011101	1		
1-3	Nozzle	KP3740017000	1	~2017	KP3740012200
1-4	Spark Plug	KP3631002700	1		
1-5	Bolt-HEX	KP4321023000	1		
1-6	Burner Blade	KP3131058400	1		
1-7	Bolt-PH	KP4321023100	1		
31-2	Insulator Plate	KP3121067700	1		
31-3	Bolt-TH	KP4321021600	3		
31-4	Diffusion Cap	KP3121062600	1		
31-5	Screw-RH2S	KP4312020000	3		

KEY NO.	Description	PART NO.	Quantity		
31-6	Burner Supporter	KP3131067200	1	~2017	KP3740058500
31-7	PCB Supporter	KP3131067400	1	~2017	KP3131062800
31-8	Screw-TH1	KP4311004000	2		
31-9	Card-Supporter	KP3713001600	2		
31-10	Spacer-Supporter	KP3713000400	4		
31-11	Motor Supporter	KP3131062900	1		
31-12	Screw-TH1	KP4311004000	2		
31-13	Ignitor	KP39E0005900	1		
31-14	Screw-TH1	KP4311004000	2		
31-15	Blower Motor Assembly	KP2154012100	1		
15-1	Blower Body	KP3221009100	1		
15-2	Blower Motor	KP3970025300	1		
15-3	Bolt-TH	KP4321010300	3		
15-4	Blower Fan Assembly	KP2154010400	1		
15-5	Set Screw	KP4323000700	1		
15-6	Photocell	KP2153002900	1		
15-7	Blower Cover	KP3221009200	1		
15-8	Screw-TH2S	KP4312004000	2		
31-16	Bolt-TH	KP4321023300	3		
31-17	Pump Supporter	KP3131067500	1	~2017	KP3131058700
31-18	Screw-TH1	KP4311004000	2		
31-19	Electronic Pump	KP3970027100	1		
31-20	Bolt-TH	KP4321024700	2		
31-21	Nipple-Filter	KP3541008701	1		
31-22	Fuel Filter	KP3970011900	1		
31-23	Wire-Pump	KP39D0080600	1		
31-24	Electronic Pump Pipe Assy	KP3740010700	1		
31-25	Control PCB Assembly	KP215A009100	1		
31-26	Vibration Switch	KP39A0005000	1		
31-27	Screw-RH2S	KP4312019900	2		
31-28	Wire-Vibration Switch	KP39D0081000	1		
32	Nut-HEX2	KP4331002800	3		
33	Back Cover	KP3211003100	1		
34	Inlay	KP3221010900	1		
35	Operating Switch	KP39A0019100	1		
36	Wire-Operating S/W	KP39D0080900	1		
37	Display PCB Assembly	KP215A008900	1		
38	Screw-RH2S	KP4312019900	1		
39	Wire-Display 7P	KP39D0093200	1		
40	Wire-Display 9P	KP39D0093300	1		
41	Screw-TH1	KP4311004400	4		
42	Handle	KP3231007300	1		
43	Bolt-TH	KP4321011700	2		